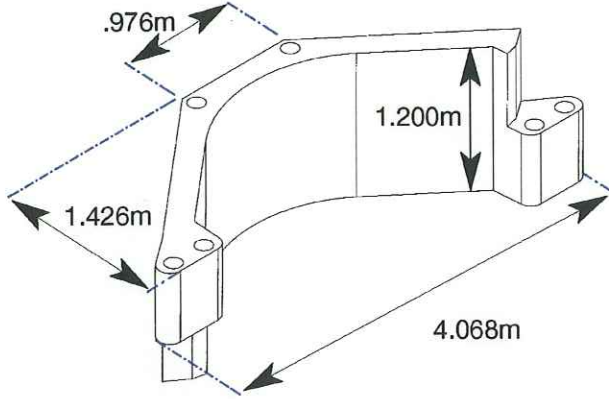


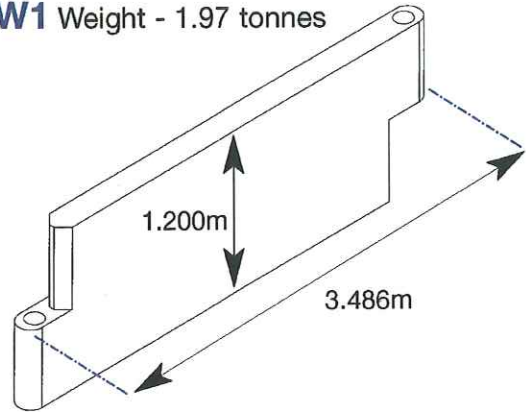
KARAPACE®

Components

K1 Weight - 3.15 tonnes

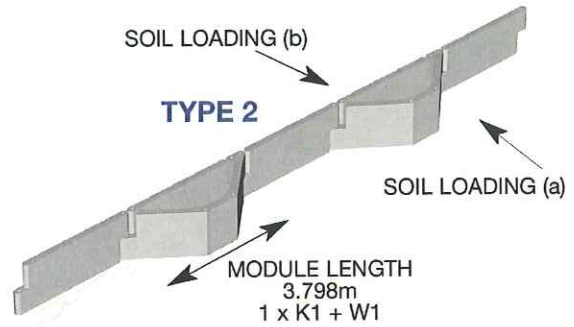
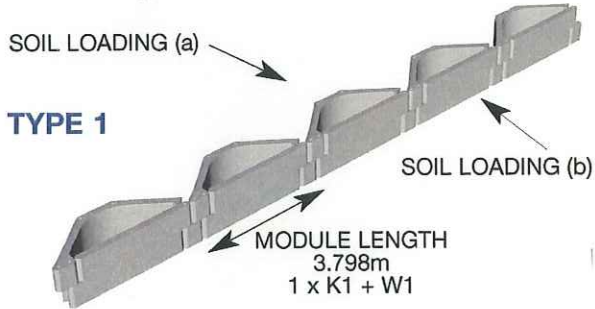


W1 Weight - 1.97 tonnes

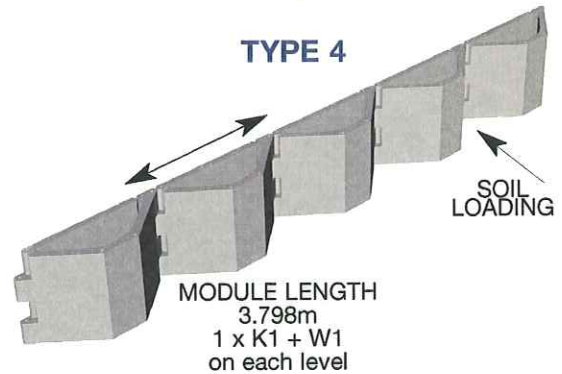
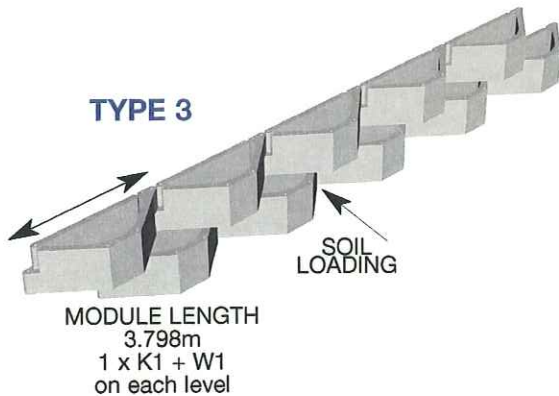


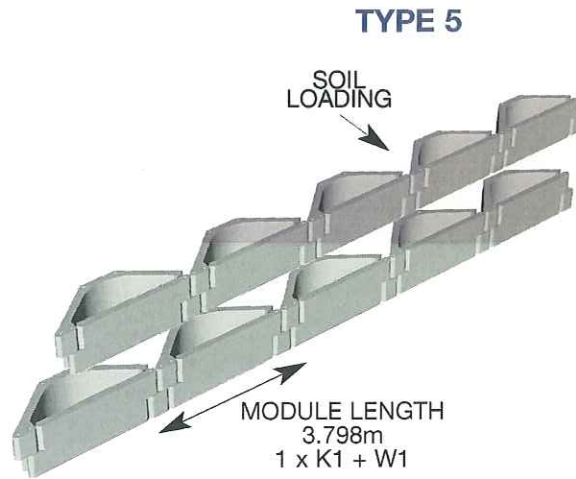
Arrangements

One unit high – soil can be loaded on either side.

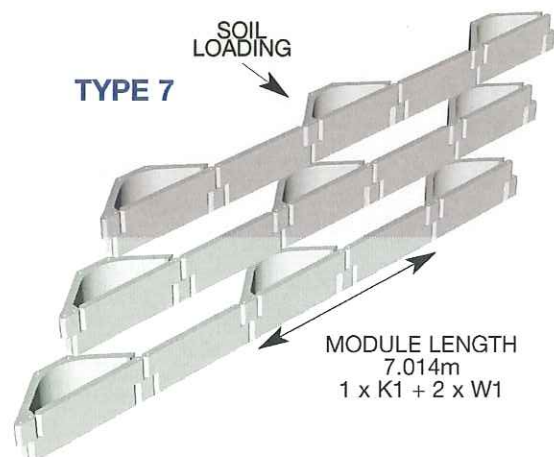
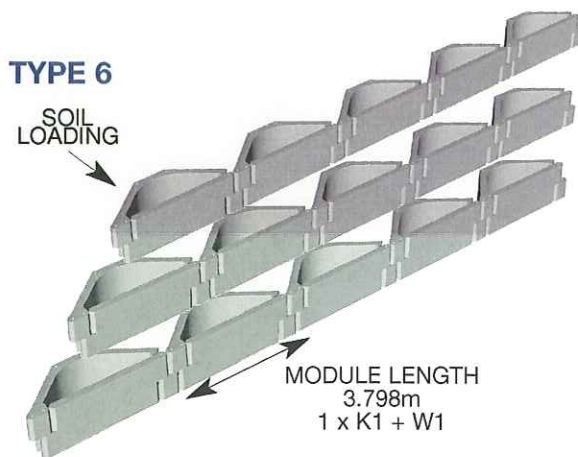


Two units high – soil can be loaded on the K1 face only.





Three units high – soil can be loaded on the K1 face only.



Foundation Soil Pressures Required:

		Foundation Soil Pressure (kN/m ²)	Additional Conditions
Type 1	A	50	Vertical wall
	B	55	Vertical wall
Type 2	A	50	Units must be rotated 11° into retained materials
	B	65	Vertical wall
Type 3		150	Vertical wall
Type 4		100	Units must be rotated 11° into retained materials
Type 5		75	Vertical wall
Type 6		75	Bottom unit must be embedded into the ground by a minimum of 300mm to enhance sliding resistance
Type 7		75	Bottom unit must be embedded into the ground by a minimum of 300mm to enhance sliding resistance and top layer of units must be rotated by 11° into retained materials