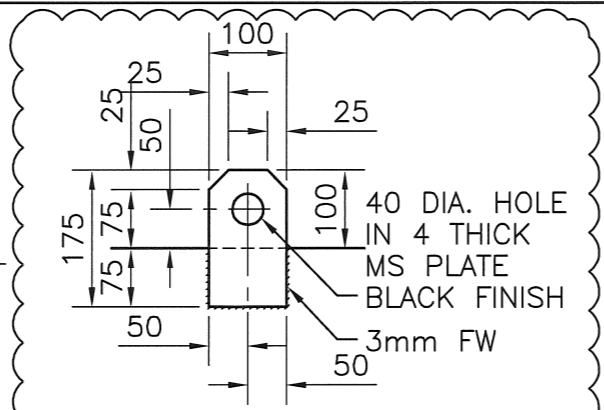
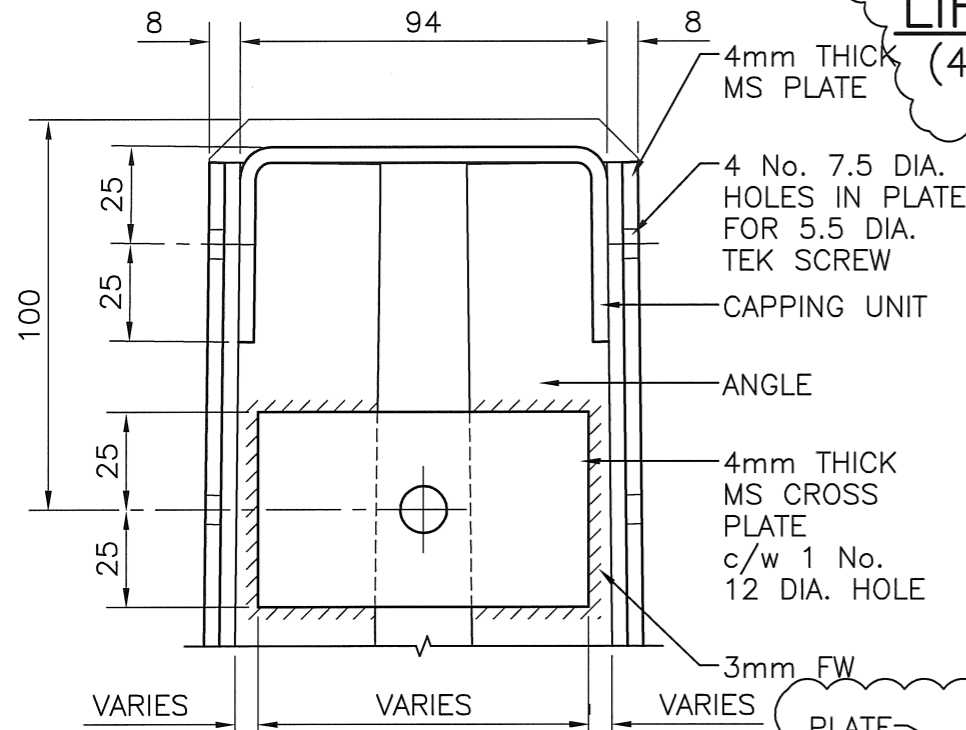


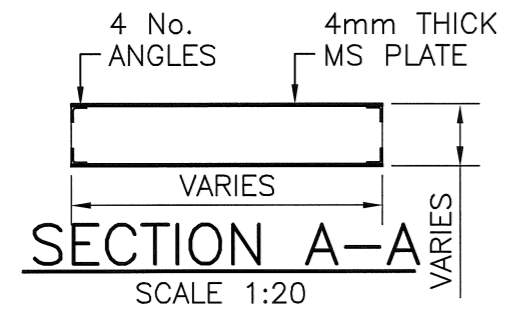
**PLAN**  
SCALE 1:10



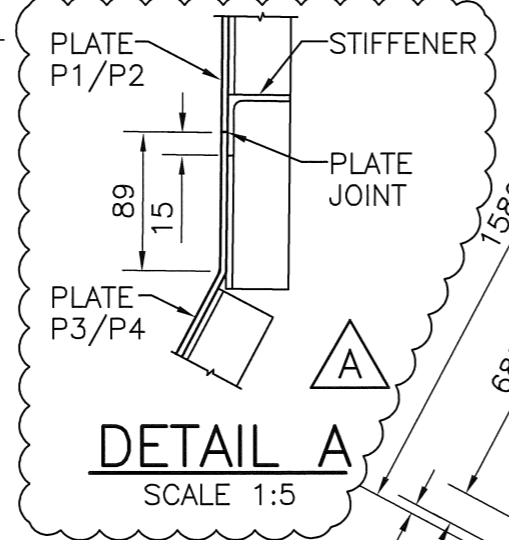
**LIFTING EYE**  
(4 No. THUS)  
SCALE 1:10



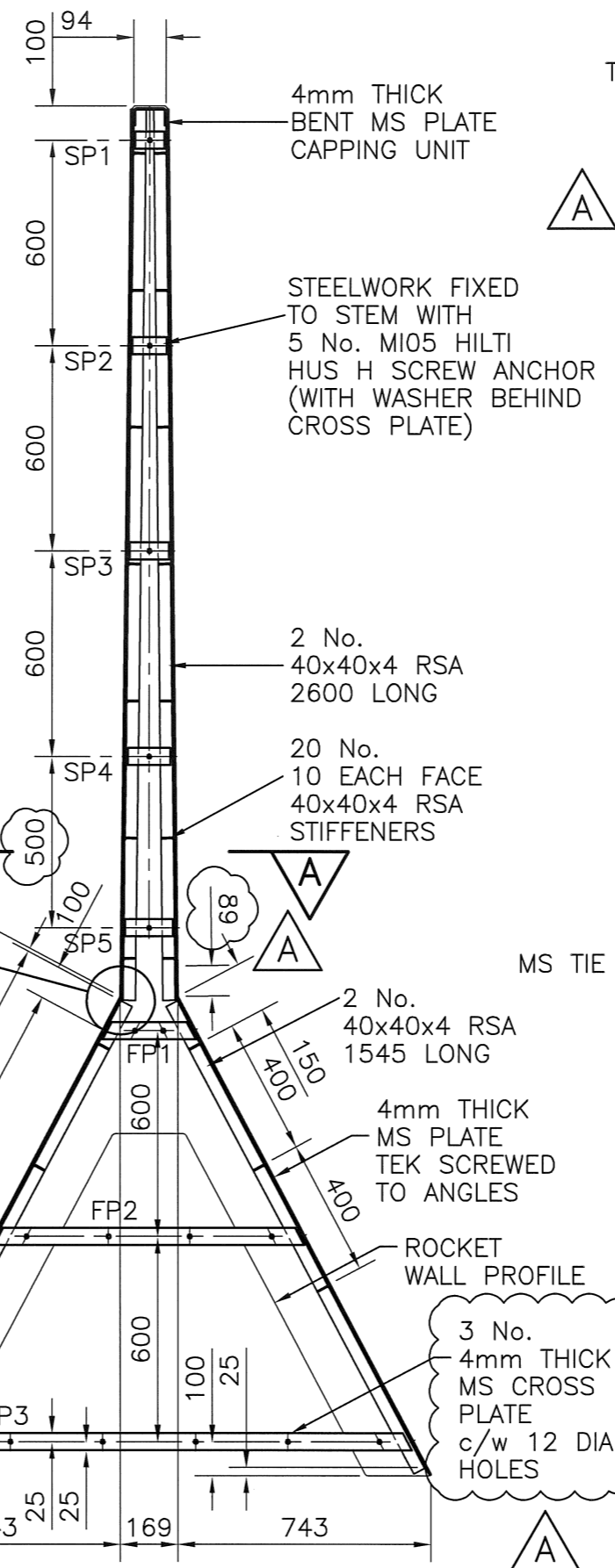
**CAPPING UNIT**  
SCALE 1:2



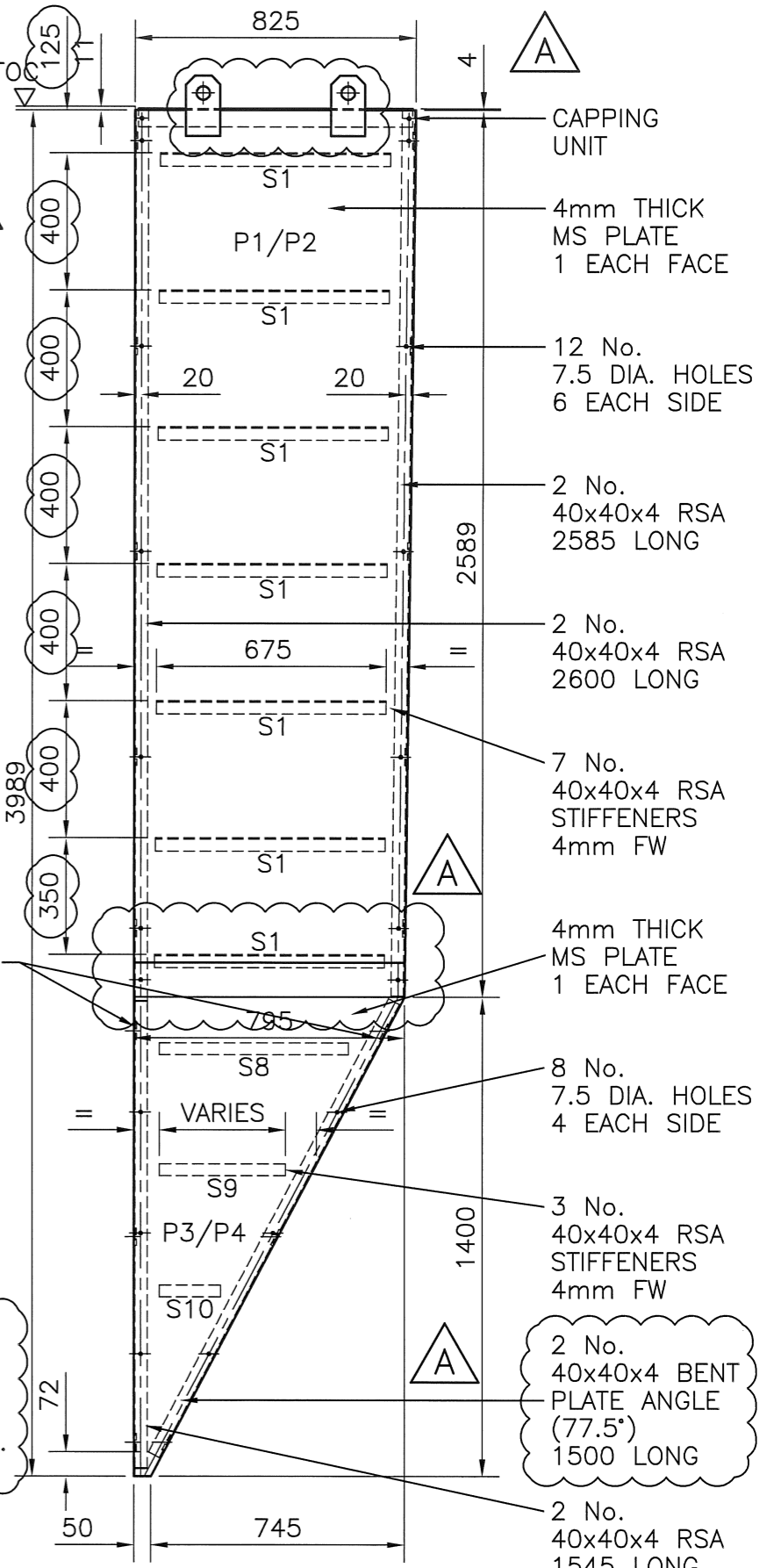
**SECTION A-A**  
SCALE 1:20



**DETAIL A**  
SCALE 1:5



**VERTICAL END ELEVATION**  
SCALE 1:20



**SIDE ELEVATION**  
SCALE 1:20

Rev.	Description	Date	By	Chk'd
A	REVISED AS SHOWN	01.09	HM	IDL

Drawing Status: PRELIMINARY  CONSTRUCTION   
APPROVAL  AS BUILT



Contract:  
**ROCKET WALL**  
**4.00m STEEL CORNER UNIT**

Drawn: HM  
Date: Dec 08  
Scale: AS SHOWN @A3

Chkd: IDL  
Title: **GENERAL ARRANGEMENT**  
Drg No: **RW30**  
rev: **A**