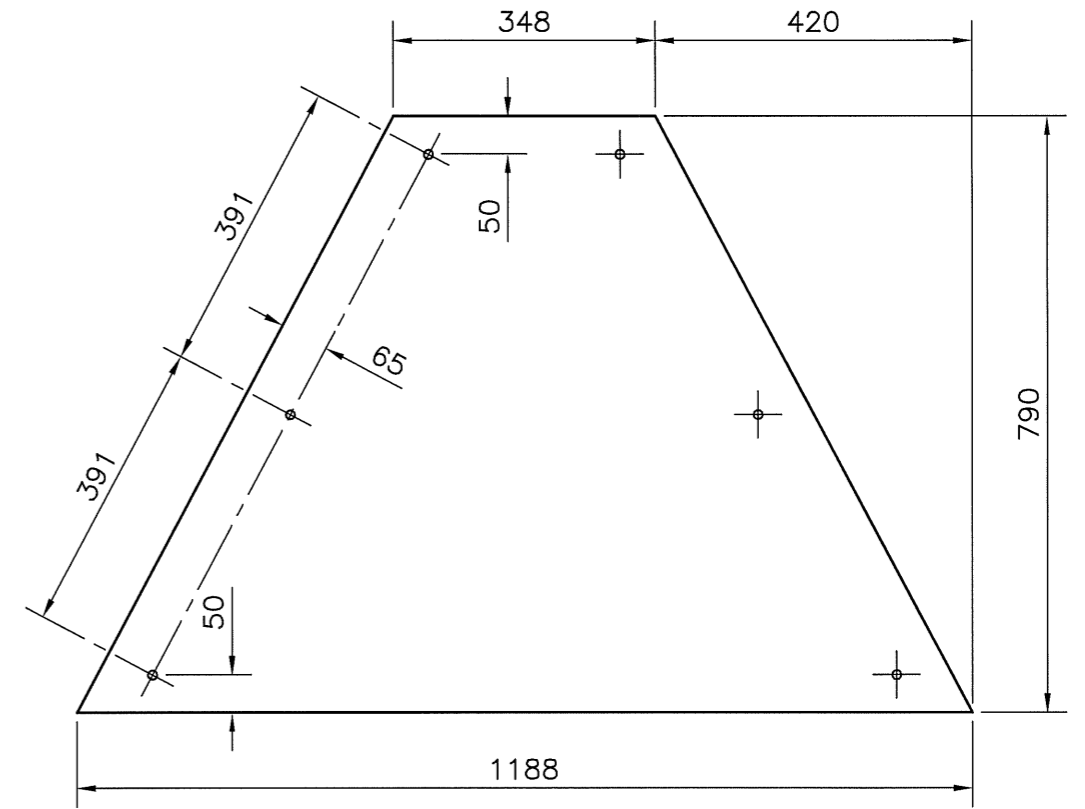
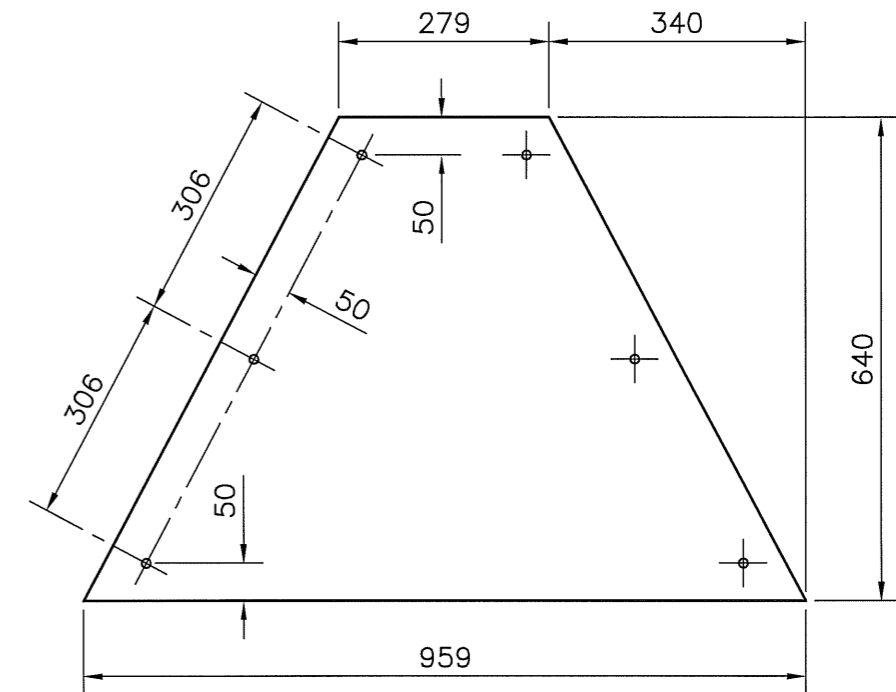


**ELEVATION ON END PLATE  
FOR 4.0m ROCKET**  
SCALE 1:10



**ELEVATION ON END PLATE  
FOR 3.0m ROCKET**  
SCALE 1:10



**ELEVATION ON END PLATE  
FOR 2.4m ROCKET**  
SCALE 1:10

**NOTE**  
ALL PLATES TO BE  
3mm THICK GALVANISED  
PLATE c/w 10mm DIA.  
COUNTERSUNK HOLES  
FOR M8 ANKERBOLTS.

Rev.	Description	Date	By	Chk'd
Drawing Status		PRELIMINARY <input type="checkbox"/>	CONSTRUCTION <input checked="" type="checkbox"/>	
		APPROVAL <input type="checkbox"/>	AS BUILT <input type="checkbox"/>	

©Copyright  
This drawing is the property of Milbury  
Systems Ltd and should not be reproduced in  
whole or part without express written  
permission of Milbury Systems Ltd.

**MILBURY**  
**SYSTEMS LTD**  
The Long Barn, Clevedon Rd. Tickenham, Bristol BS21 6RY  
Tel: 01275 857799 Fax: 01275 853123  
E mail: technical@milbury.com

Contract:  
2.4m, 3.0m AND 4.0m  
ROCKET WALL UNITS

Drawn: HM  
Chkd: KFD  
Date: 19.06.08  
Scale: AS SHOWN @A3

Title: STEEL END PLATE DETAILS  
Drg No: RW50  
rev: