

OFFLOADING ROCKET WALLS

1. The units are delivered horizontal and should be offloaded using the Deha lifters in the top face and stacked upon timber bearers as shown in Fig. 1

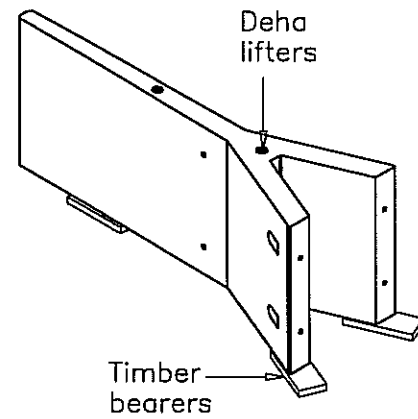


Fig. 1

UPRIGHTING ROCKET WALLS

2. Units to be uprighted IN A SLOW AND CONSISTANT MOTION using the UPPER lifting hole and stacked upon timber bearers as shown in Fig. 2

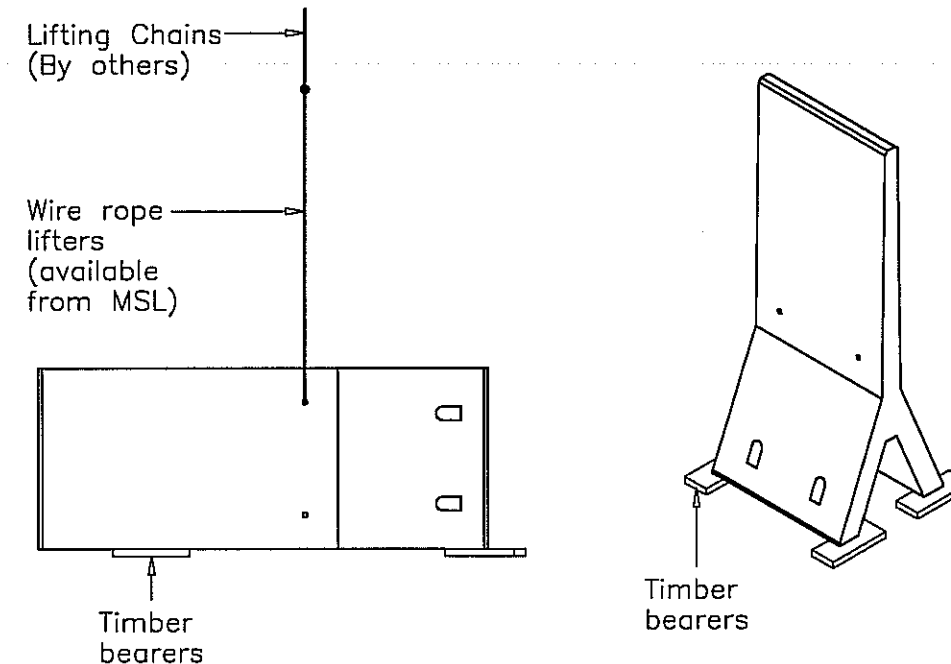


Fig. 2

INSTALLING ROCKET WALLS

1. Position, line and level wall units on continuous mortar bed both sides. Strike mortar off flush.
2. Drill 4 No. 16mm dia. holes 125mm deep into base slab, using holes in unit as pilots.
3. Insert M16 Excalibur screwbolt with plate washer into each hole then tighten to 100 N/m torque.
4. Using non-shrink mortar and a trowel fill recess and strike off flush.
5. Leave to cure for a minimum of 48 hours before loading.

DESIGN PARAMETERS

Weight of unit = 2T for 3m wall
 1.65T for 2.4m wall

Concrete strength = 50 N/mm²
 Cover = 30mm

Designed to BS8110, Part 1.

Bearing to be on existing concrete surface suitable to accept bolts.

Factor of safety against overturning = 1.5
 Factor of safety against sliding = 1.5

Friction of retained material and unit on foundation ignored.

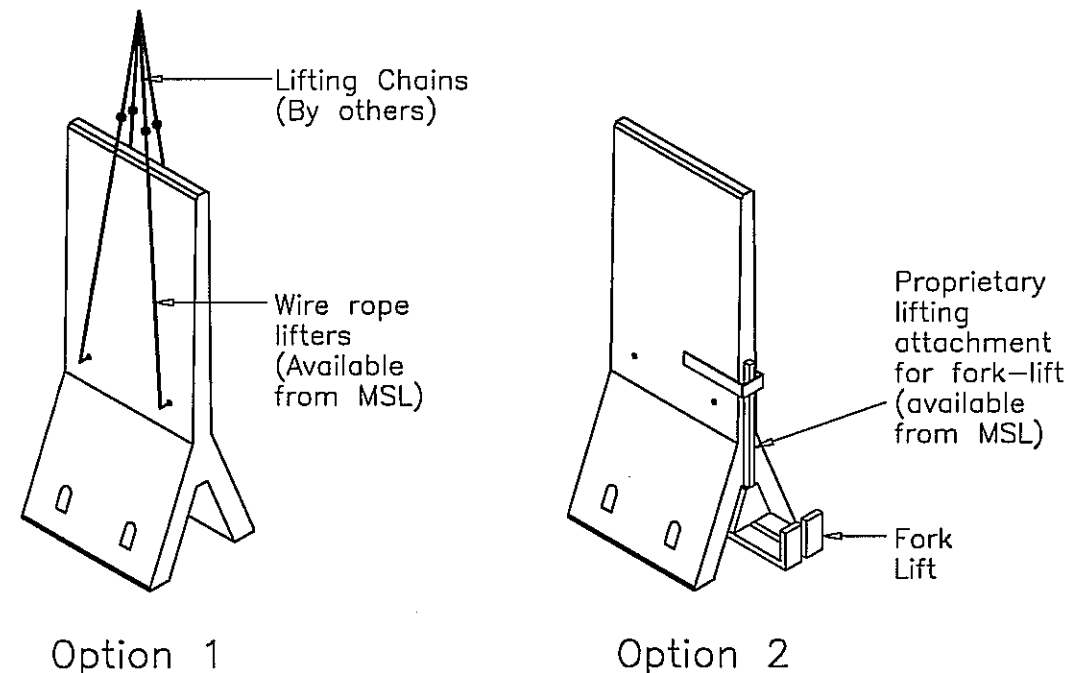
Design life to be 20 years.

NOTE
 Rocket wall units are not intended for use as a liquid retaining structure. Rocket wall units may be sealed both sides to limit seepage.

All lifting to be in accordance with LOLER. If you are unsure or have any queries please contact Milbury Systems Ltd.

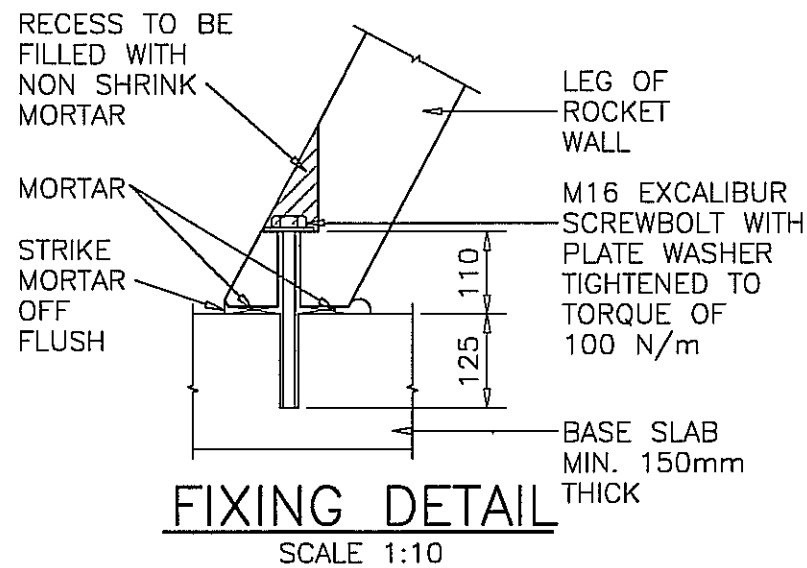
POSITIONING ROCKET WALLS

3. Units should be placed using either Option 1 or Option 2.



Option 1

Option 2



FIXING DETAIL

SCALE 1:10

Rev.	Description	Date	By	Chk'd
	PRELIMINARY <input type="checkbox"/>	CONSTRUCTION <input type="checkbox"/>		
	APPROVAL <input type="checkbox"/>	AS BUILT <input type="checkbox"/>		

MILBURY
SYSTEMS LTD

The Long Barn, Clevedon Rd. Tickenham, Bristol BS21 6RY
 Tel: 01275 857799 Fax: 01275 853123
 E mail: technical@milbury.com

Contract:
 LIFT 12
 Rocket Wall

Drawn: HM
 Chkd: TA

Date: 06/03/08

Scale: NTS @A3

Title:
 ROCKET WALL LIFTING AND
 INSTALLATION GUIDE FROM HORIZONTAL

Drg No: 12
 rev: